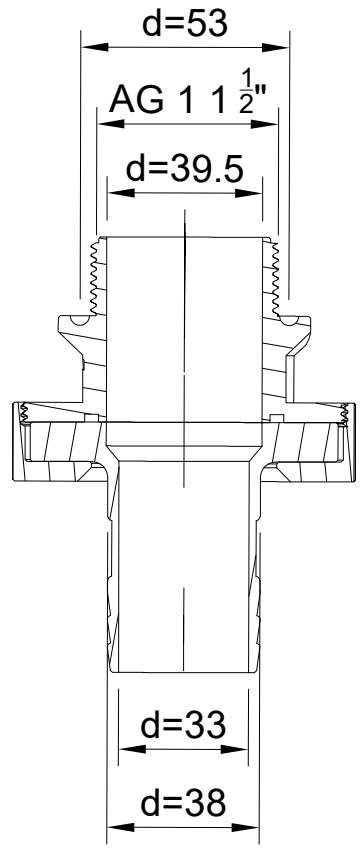


A-A (1:2)



Dept.	Technical reference	Created by Poolpowershop 05.11.2025	Approved by	
		Document type	Document status	
		Title Click & Close D38 AG 1 1/2"	DWG No.	
		Rev.	Date of issue	Sheet 1/1